

B3 Series, 3-Way, Characterized Control Valve

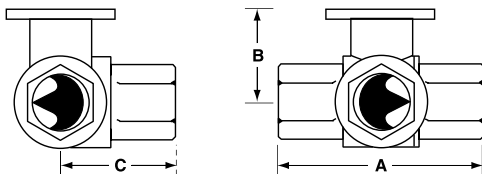
Chrome Plated Brass Ball and Brass Stem



Technical Data	
Service	chilled or hot water, 60% glycol
Flow characteristic	A-port equal percentage B-port modified for constant common port flow
Action	90° rotation
Sizes	½", ¾"
Type of end fitting	NPT female ends
Materials:	
Body	forged brass, nickel plated
Ball	chrome plated brass
Stem	nickel plated brass
Seats	PTFE
Characterizing disc	Tefzel®
Packing	2 EPDM O-rings, lubricated
Body pressure rating	600 psi
Media temp. range	0°F to 212°F [-18°C to 100°C]
Close off pressure	200 psi
Maximum differential pressure (ΔP)	30 psi for typical applications
Leakage	0% for A to AB <2.0% for B to AB
External leakage	according to EN 12266-1:2003
C _v rating	A-port: see product chart for values B-port: 70% of A to AB C _v

Tefzel® is a registered trademark of DuPont

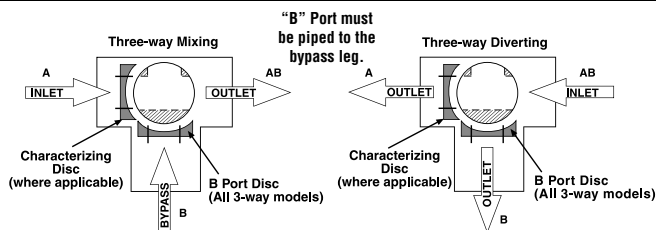
Dimensions



3WayValve-B307-B320

Valve Body	Valve Nominal Size		Dimensions (Inches [mm])		
	Inches	DN [mm]	A	B	C
B307B-B311B	½"	15	2.41" [61.1]	1.39" [35.2]	1.20" [30.6]
B312B-B315B	½"	15	2.38" [60.4]	1.78" [45.2]	1.29" [32.8]
B317B-B320B	¾"	20	2.73" [69.3]	1.87" [47.4]	1.47" [37.3]

Flow Patterns



Application

This valve is typically used in air handling units on heating or cooling coils, and fan coil unit heating or cooling coils. Some other common applications include Unit Ventilators, VAV box re-heat coils and bypass loops. This valve is suitable for use in a hydronic system with variable or constant flow.

C _v	Valve Nominal Size		Type	Suitable Actuators			
	Inches	DN [mm]	3-way NPT	Non-Spring		Spring	
0.3	½"	15	B307B	TR Series	LR Series	TF Series	LF Series
0.46	½"	15	B308B				
0.8	½"	15	B309B				
1.2	½"	15	B310B				
1.9	½"	15	B311B				
3	½"	15	B312B				
4.7	½"	15	B313B				
10	½"	15	B315B*				
4.7	¾"	20	B317B				
7.4	¾"	20	B318B				
24	¾"	20	B320B*				

*Models without characterizing disc

M40013 - 06/11 - Subject to change. © Belimo Aircontrols (USA), Inc.

LF24-SR Actuators, Proportional



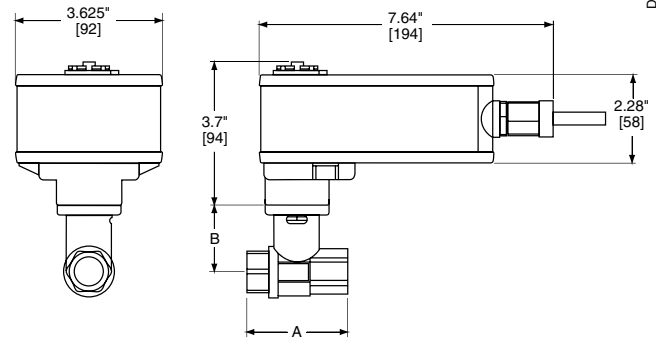
Models

LF24-SR US
LF24-SR-S US w/built-in Aux. Switch

Technical Data	
Control	proportional
Control signal	2 to 10 VDC 4 to 20 mA (with 500 Ω resistor)
Power consumption	running 2.5 W holding 1 W
Transformer sizing	5 VA, class 2 power
Electrical connection (-S models have 2 cables)	½" conduit connector 3 ft [1m], 18 GA appliance cable
Overload protection	electronic throughout 0° to 95° rotation
Feedback output	2 to 10 VDC
Input impedance	100 kΩ
Angle of rotation	95°
Direction of rotation	spring reversible with CW/CCW mounting motor reversible with built-in ↻ switch
Position indication	visual indicator
Running time	motor 150 sec. independent of load (proportional) spring <25 seconds @ -4°F to 122°F [-20°C to 50°C] <60 seconds @ -22°F [-30°C]
Ambient temperature	-22° F to 122° F [-30° C to 50° C]
Housing	NEMA 2
Agency listings	cULus according to UL 873 and CAN/CSA C22.2 No. 24-93
Noise level (max)	running <30 db(A) spring return 62 dB(A)
Quality standard	ISO 9001

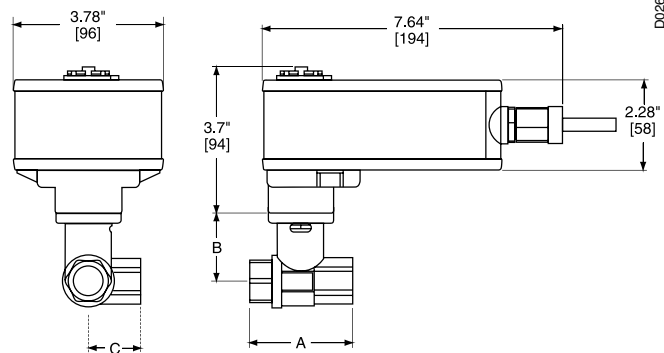
LF24-SR-S US	
Auxiliary switch	1 x SPDT, 6A (1.5A) @ 250 VAC, UL Listed, adjustable 0° to 95° (double insulated)

Dimensions with 2-Way Valve



Valve Body	Valve Nominal Size		Dimensions (Inches [mm])	
	Inches	DN [mm]	A	B
B207(B)-B211(B)	½"	15	2.41" [61.1]	1.39" [35.2]
B212(B)-B215(B)	½"	15	2.38" [60.4]	1.78" [45.2]
B217(B)-B220(B)	¾"	20	2.73" [69.3]	1.87" [47.4]
B222-B225	1"	25	3.09" [78.4]	1.87" [47.4]
B229-B230	1¼"	32	3.72" [94.6]	1.87" [47.4]

Dimensions with 3-Way Valve



Valve Body	Valve Nominal Size		Dimensions (Inches [mm])		
	Inches	DN [mm]	A	B	C
B307(B)-B311(B)	½"	15	2.41" [61.1]	1.39" [35.2]	1.20" [30.6]
B312(B)-B315(B)	½"	15	2.38" [60.4]	1.78" [45.2]	1.29" [32.8]
B317(B)-B320(B)	¾"	20	2.73" [69.3]	1.87" [47.4]	1.47" [37.3]
B322-B325	1"	25	3.09" [78.4]	1.87" [47.4]	1.59" [40.3]

M40013 - 06/11 - Subject to change. © Belimo Aircontrols (USA), Inc.

Wiring Diagrams

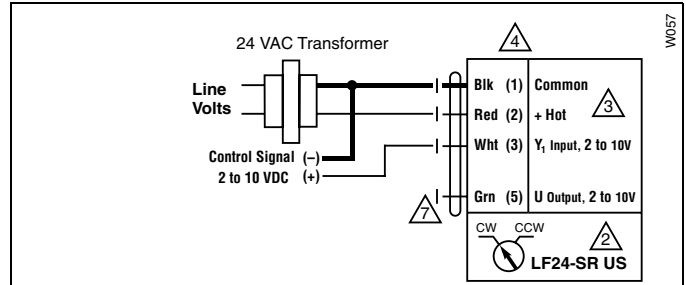
✂️ INSTALLATION NOTES

- ⚠️ **CAUTION Equipment damage!**
Actuators may be connected in parallel. Up to 4 actuators may be connected in parallel. With 4 actuators wired to one 500 Ω resistor, a +2% shift of control signal may be required. Power consumption must be observed.
- ⚠️ Actuators may also be powered by 24 VDC.
- ⚠️ Actuators with plenum rated cable do not have numbers on wires; use color codes instead.
- ⚠️ Only connect common to neg. (-) leg of control circuits.
- ⚠️ For end position indication, interlock control, fan startup, etc., LF24-SR-S US incorporates one built-in auxiliary switch: 1 x SPDT, 6A (1.5A) @ 250 VAC, UL listed, adjustable 0° to 95°.
- ⚠️ The LF24-SR-S US wire 5 is white.

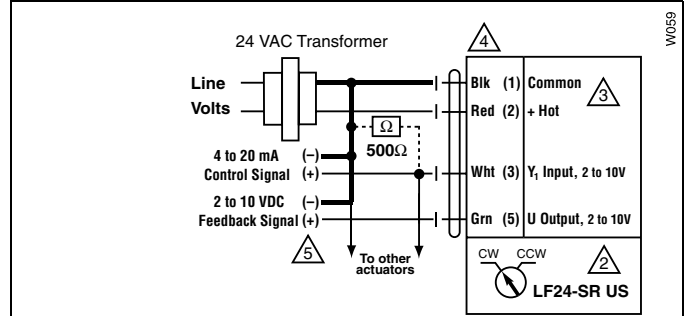
📄 APPLICATION NOTES

- ◆ The ZG-R01 500 Ω resistor converts the 4 to 20 mA control signal to 2 to 10 VDC, up to 2 actuators may be connected in parallel.
- ◆ Meets cULus or UL and CSA requirements without the need of an electrical ground connection.

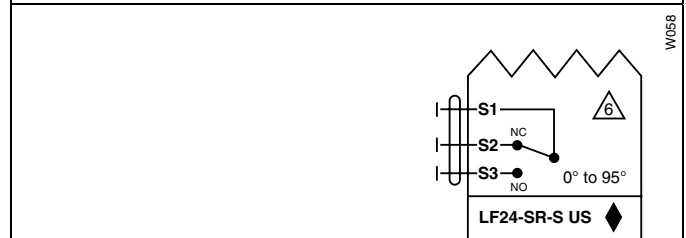
⚠️ **WARNING Live Electrical Components!**
During installation, testing, servicing and troubleshooting of this product, it may be necessary to work with live electrical components. Have a qualified licensed electrician or other individual who has been properly trained in handling live electrical components perform these tasks. Failure to follow all electrical safety precautions when exposed to live electrical components could result in death or serious injury.



2 to 10 VDC control



4 to 20 mA control



Auxiliary switch