



- 50 psi bubble tight shut-off
- Long stem design allows for 2" insulation
- Valve face-to-face dimensions comply with API 609 & MSS-SP-67
- Completely assembled and tested, ready for installation

Application

These valves are designed to meet the needs of HVAC and commercial applications requiring bubble tight shut-off for liquids. Typical applications include chiller isolation, cooling tower isolation, change-over systems, large air handler coil control, bypass and process control applications. The large C_v values provide for an economical control valve solution for larger flow applications. Designed for use in Victaulic piping systems when mated to Victaulic 41 series flange nipples.

Jobsite Note

Valves should be stored in a weather protected area prior to construction. Complete installation recommendations can be found in Belimo's Installation and Maintenance Instructions for F6/F7...HD/HDU Butterfly Valves.

Technical Data	
Service	chilled, hot water, 60% glycol
Flow characteristic	modified equal percentage
Action	90° rotation
Sizes	2" to 12"
Type of end fitting	for use with ANSI Class 125/150 flanges
Materials	
Body	ductile iron ASTM A536
Body finish	epoxy powder coated
Disc	304 stainless steel
Seat	EPDM
Shaft	416 stainless steel
O-ring	EPDM
Upper bushing	RPTFE
Middle bushings	RPTFE
Lower bushing	RPTFE
Media temperature range	-22°F to 250°F [-30°C to 120°C]
Operation ambient temperature range	-22°F to 122°F [-30°C to 50°C]
Body pressure rating	ASME/ANSI Class 125/150 (200 psi at -30°F to 275°F)
Close-off pressure	50 psi
Rangeability	10:1 (for 30° to 70° range)
Maximum velocity	12 FPS

C _v 90°	C _v 60°	Valve Nominal Size		Type	Suitable Actuators		SY Series
		IN	DN [mm]		2-way	Spring	
115	44	2"	50	F650HDU	AF Series	AM Series	
196	75	2½"	65	F665HDU			
302	116	3"	80	F680HDU	GM		
600	230	4"	100	F6100HDU			
1022	392	5"	125	F6125HDU			
1579	605	6"	150	F6150HDU			
3136	1202	8"	200	F6200HDU			
5340	2047	10"	250	F6250HDU			
8250	3062	12"	300	F6300HDU			

Valve	Size	C _v	MOD								ON/OFF	
			10°	20°	30°	40°	50°	60°	70°	80°	90°	
F650HDU	2"	115	.06	3	7	15	27	44	70	105	115	
F665HDU	2½"	196	.10	6	12	25	45	75	119	178	196	
F680HDU	3"	302	.20	9	18	39	70	116	183	275	302	
F6100HDU	4"	600	.30	17	36	78	139	230	364	546	600	
F6125HDU	5"	1022	.50	29	61	133	237	392	620	930	1022	
F6150HDU	6"	1579	.80	45	95	205	366	605	958	1437	1579	
F6200HDU	8"	3136	2	89	188	408	727	1202	1903	2854	3136	
F6250HDU	10"	5340	3	151	320	694	1237	2047	3240	4859	5340	
F6300HDU	12"	8250	4	234	495	1072	1911	3062	5005	7507	8250	

M40048 - 06/10 - Subject to change. © Belimo Aircontrols (USA), Inc.

F6...HDU Butterfly Valves 2"-12" Ductile Iron Lug Body Resilient Seat, 304 Stainless Disc



Maximum Dimensions (Inches)

Valve	Size	C _v 90°	C _v 60°	A	B	C	D(Max)	BHC	No. of Holes	Lug Bolt	Actuator	Close-Off (PSI)	
F650HDU	2"	115	44	1.65	9.00	9.00	19.50	4.75	4	5/8-11UNC	AF	50	Fail Safe
F665HDU	2½"	196	75	1.76	9.00	9.00	20.00	5.50	4	5/8-11UNC		50	
F680HDU	3"	302	116	1.78	9.00	9.00	20.50	6.00	4	5/8-11UNC		50	
F6100HDU	4"	600	230	2.05	9.00	9.00	21.00	7.50	8	5/8-11UNC	2*AF	50	
F6125HDU	5"	1022	392	2.14	9.00	9.00	22.00	8.50	8	3/4-10UNC		50	
F650HDU	2"	115	44	1.65	7.00	7.00	15.00	4.75	4	5/8-11UNC		50	
F665HDU	2½"	196	75	1.76	7.00	7.00	15.50	5.50	4	5/8-11UNC	AMB(X)	50	
F680HDU	3"	302	116	1.78	7.00	7.00	16.00	6.00	4	5/8-11UNC		50	
F6100HDU	4"	600	230	2.05	8.00	8.00	17.00	7.50	8	5/8-11UNC		50	
F6125HDU	5"	1022	392	2.14	8.00	8.00	17.50	8.50	8	3/4-10UNC	GMB(X)	50	
F6150HDU	6"	1579	605	2.19	8.00	8.00	22.50	9.50	8	3/4-10UNC		50	
F650HDU	2"	115	44	1.65	4.25	4.25	15.50	4.75	4	5/8-11UNC		50	
F665HDU	2½"	196	75	1.76	4.25	4.25	16.00	5.50	4	5/8-11UNC	SY1...	50	Non-Fail Safe
F680HDU	3"	302	116	1.78	4.25	4.25	16.25	6.00	4	5/8-11UNC		50	
F6100HDU	4"	600	230	2.05	8.00	13.00	22.00	7.50	8	5/8-11UNC		50	
F6125HDU	5"	1022	392	2.14	8.00	13.00	22.50	8.50	8	3/4-10UNC	SY2...	50	
F6150HDU	6"	1579	605	2.19	8.00	13.00	23.00	9.50	8	3/4-10UNC		50	
F6200HDU	8"	3136	1202	2.37	8.00	13.00	24.25	11.75	8	3/4-10UNC		50	
F6250HDU	10"	5340	2047	2.58	8.00	13.00	25.50	14.25	12	7/8-9UNC	SY3...	50	
F6300HDU	12"	8250	3062	3.01	8.00	13.00	27.25	17.00	12	7/8-9UNC		50	

Dimension "A" is compressed, add .125" for relaxed state.

AF, AM and GM maximum actuator ambient temperature is 122°F.

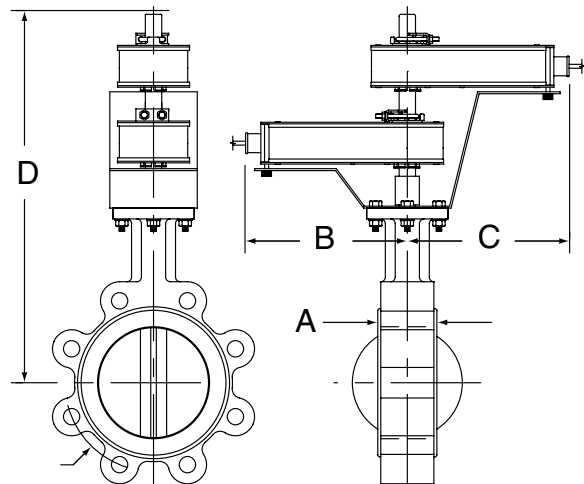
SY maximum actuator ambient temperature is 150°F.

Model SY1... does not have handwheel - override is via 8mm wrench on bottom side of actuator.

Application Notes

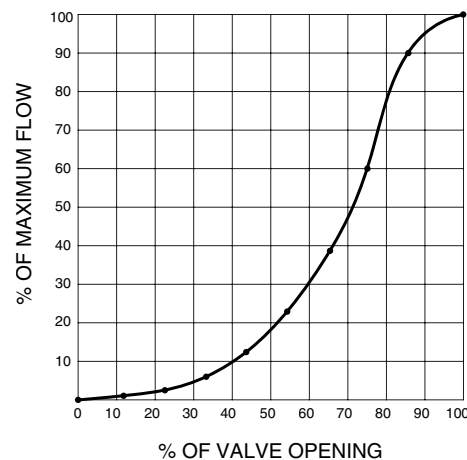
1. Valves are rated at 50 psi differential pressure in the closed position.
2. Valves are furnished with lugs tapped for use with ANSI Class 125/150 flanges. Installation flanges and hardware are not included.
3. 2-way assemblies are furnished assembled and tested, ready for installation.
4. Dimension "D" allows for actuator removal without the need to remove the valve from the pipe.
5. Weather shields are available, dimensional data upon request.
6. Dual actuated valves have actuators mounted on a common valve shaft.
7. Belimo SY Series actuators are NEMA 4X rated.

Dimensions

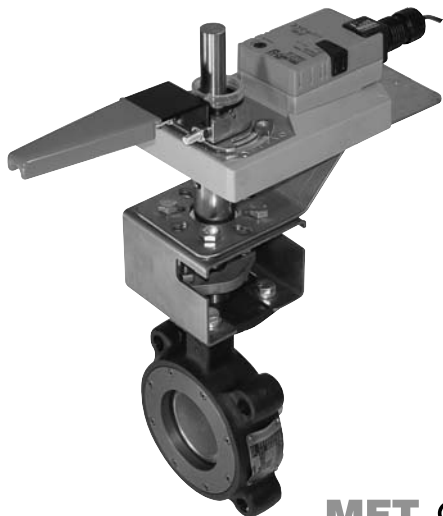


BF2WUDIM

Flow Pattern



IM40048 - 06/10 - Subject to change. © Belimo Aircontrols (USA), Inc.

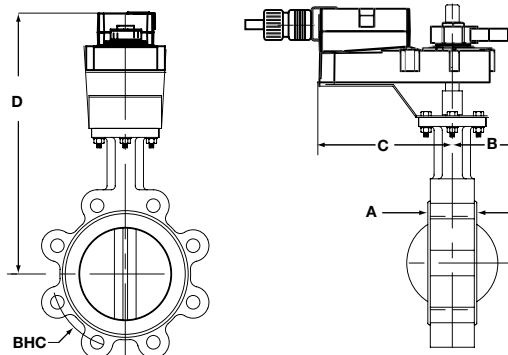


Models

GMX24-MFT-X1

Technical Data	
Power supply	24 VAC ± 20% 50/60 Hz 24 VDC ± 10%
Power consumption	running 4.5 W holding 2 W
Transformer sizing	7 VA (class 2 power source)
Electrical connection	3 ft, 18 GA appliance cable, 1/2" conduit connector
Overload protection	electronic throughout 0 to 95° rotation
Control signal	2 to 10 VDC, 4 to 20 mA (with 500 Ω, 1/4 W resistor) ZG-R01
Input impedance	100 k Ω for 2 to 10VDC (0.1 mA) 500 Ω for 4 to 20 mA 750 Ω for PWM 1500 Ω for on/off and floating point
Angle of rotation	mechanically limited to 95°
Direction of rotation	reversible with switch A/B
Position indication	0 to 1 and reversible indicator
Running time	150 sec.
Humidity	5 to 95% RH non-condensing
Ambient temperature	-22°F to 122°F [-30°C to 50°C]
Storage temperature	-40°F to 176°F [-40°C to 80°C]
Housing	NEMA 2/IP54
Housing material	UL94-5VA (flammability rating)
Agency listings	cULus according to UL60730-1A/-2-14, CAN/CSA E60730-1, CSA C22.2 No.24-93, CE according to 89/336/EEC
Noise level	max. 45 dB (A)
Servicing	maintenance free
Quality standard	ISO 9001

Dimensions with 2-Way Valve

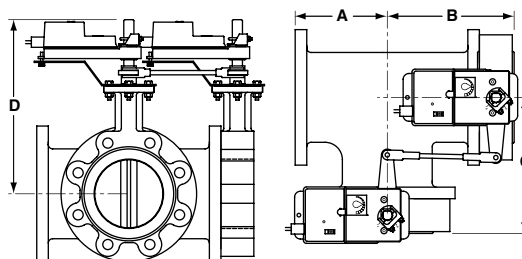


AM_GM_LineRevised

Dimensions (Inches) Non-Fail Safe (psi)

Valve	Size	A	B	C	D(Max)	BHC	GM	2*GM
F680HD	3"	1.69	9.00	9.00	20.50	6.00	200	
F6100HD	4"	1.92	9.00	9.00	21.00	7.50		200
F6100HDU	4"	1.92	9.00	9.00	21.00	7.50	50	
F6125HDU	5"	2.08	9.00	9.00	22.00	8.50	50	
F6150HDU	6"	2.08	9.00	9.00	22.50	9.50		50
F650-150SHP	2"	1.75	9.00	9.00	19.50	4.75	285	
F665-150SHP	2½"	1.88	9.00	9.00	20.00	5.50	285	
F680-150SHP	3"	1.92	9.00	9.00	20.50	6.00	285	
F6100-150SHP	4"	2.13	9.00	9.00	21.00	7.50	150	285
F650-300SHP	2"	1.75	9.00	9.00	19.50	5.00	285	400
F665-300SHP	2½"	1.88	9.00	9.00	20.00	5.88	285	400
F680-300SHP	3"	1.92	9.00	9.00	20.50	6.63	285	400
F6100-300SHP	4"	2.13	9.00	9.00	21.00	7.88	150	285

Dimensions with 3-Way Valve



D101

Dimensions (Inches) Non-Fail Safe (psi)

Valve	Size	A	B	C	D(Max)	BHC	GM	2*GM
F765HD	2½"	5.00	6.70	6.70	16.00	5.50	200	
F780HD	3"	5.50	7.20	7.20	16.25	6.00		200
F780HDU	3"	5.50	7.20	7.20	16.25	6.00	50	
F7100HD	4"	6.50	8.45	8.45	17.00	7.50		200
F7100HDU	4"	6.50	8.45	8.45	17.00	7.50		50
F7125HDU	5"	7.50	9.60	9.60	17.50	8.50		50
F7150HDU	6"	8.00	10.08	10.08	18.00	9.50		50
F750-150SHP	2"	4.50	6.25	6.25	16.50	4.75	150	285
F765-150SHP	2½"	5.00	6.88	6.88	17.00	5.50	150	285
F780-150SHP	3"	5.50	7.42	7.42	17.50	6.00	150	285
F7100-150SHP	4"	6.50	8.63	8.63	18.00	7.50	150	
F750-300SHP	2"	5.00	6.75	6.75	15.50	5.00		285
F765-300SHP	2½"	5.50	7.38	7.38	16.00	5.88		285
F780-300SHP	3"	6.00	7.92	7.92	16.25	6.63		285
F7100-300SHP	4"	7.00	9.13	9.13	18.00	7.88		150

M40048 - 06/10 - Subject to change. © Belimo Aircontrols (USA), Inc.

Wiring Diagrams

✂️ INSTALLATION NOTES

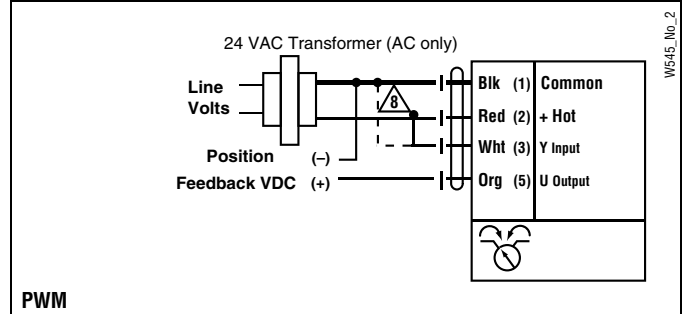
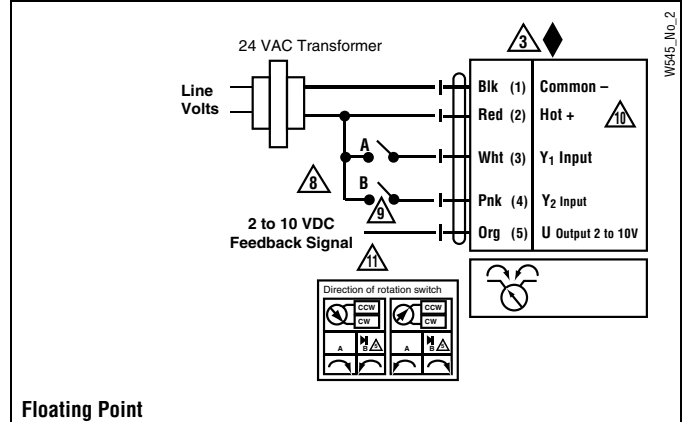
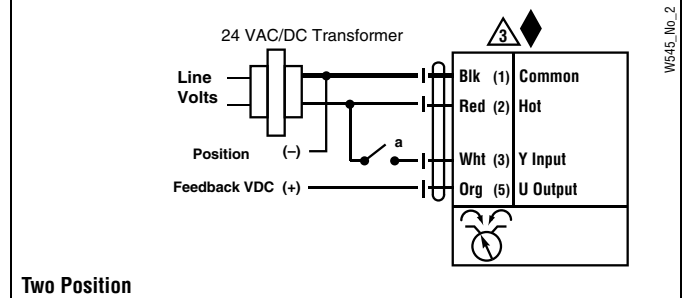
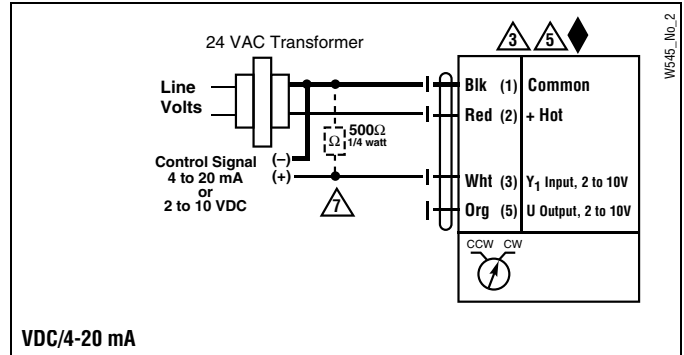
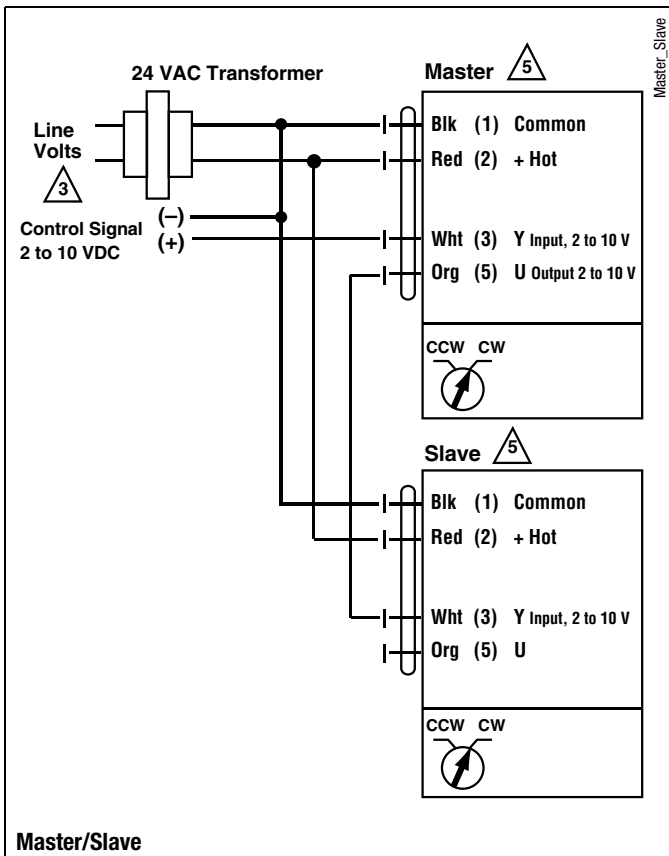
- ⚠️ 3 Actuators may also be powered by 24 VDC.
- ⚠️ 5 Actuators with plenum rated cable do not have numbers on wires; use color coded instead. Actuators with appliance rated cable use numbers.
- ⚠️ 8 Control signal may be pulsed from either the Hot (Source) or Common (Sink) 24 VAC line.
- ⚠️ 10 For triac sink the Common connection from the actuator must be connected to the Hot connection of the controller.

📄 APPLICATION NOTES

- ◆ Meets cULus or UL and CSA requirements without the need of an electrical ground connection.
- ⚠️ 9 Contact closures A & B also can be triacs. A & B should both be closed for triac source and open for triac sink.
- ⚠️ 11 Position feedback cannot be used with a Triac sink controller. The actuator internal common reference is not compatible.

⚠️ WARNING Live Electrical Components!

During installation, testing, servicing and troubleshooting of this product, it may be necessary to work with live electrical components. Have a qualified licensed electrician or other individual who has been properly trained in handling live electrical components perform these tasks. Failure to follow all electrical safety precautions when exposed to live electrical components could result in death or serious injury.



M40048 - 06/10 - Subject to change. © Belimo Aircontrols (USA), Inc.

W545_No. 2

W545_No. 2

W545_No. 2

W545_No. 2