



Technical Data		
	G7...D	G7...DS
Service	chilled or hot water, 60% glycol	chilled or hot water, 60% glycol
Flow characteristic	linear	
Action	stem up - open AB to B	
Sizes	2½" to 6"	
End fitting	125 lb. flanged	
Materials		
Body	iron	iron
Seat	bronze	stainless steel
Stem	stainless steel	stainless steel
Plug	bronze	stainless steel
Packing	NLP (no lip packing)	TFE V-ring
ANSI class	ANSI 125	
Leakage	ANSI Class III	
Max inlet	150 psi (1034kPa) @ 250°F	
Media temperature	32°F to 300°F (0°C to 148°C)	
Maximum ΔP*	25 psi (172kPa)	50 psi (340kPa)
Rangeability	50:1	

* (50% or more open)

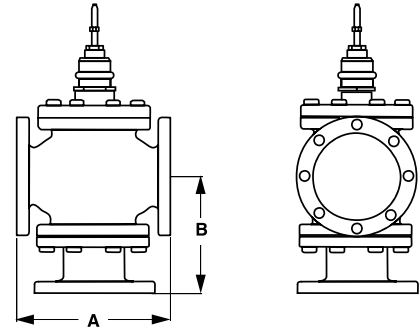
Application

This valve is typically used in Large Air Handling Units on heating or cooling coils. This valve is suitable for use in a hydronic system with variable flow.

These valves are to be used in Diverting applications only.

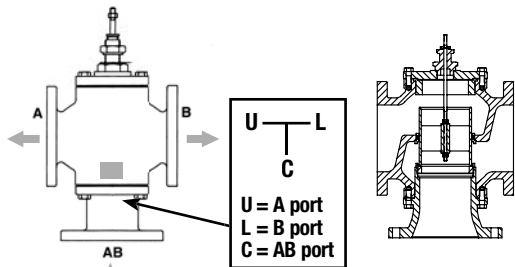
C _v	Valve Nominal Size		Suitable Actuators		
	Inches	Type	Non-Spring	Spring	Electronic Fail-Safe
68	2½	G765D(S)	NVG	GM Series	GK Series
85	3	G780D(S)			
154	4	G7100D(S)			
195	5	G7125D(S)		AF(X) Series	
248	6	G7150D(S)			

Dimensions



Valve Body	Valve Nominal Size		Dimensions (Inches [mm])	
	Inches	DN [mm]	A	B
G765D(S)	2½"	[65]	9.00" [229]	7.12" [181]
G780D(S)	3"	[80]	10.00" [254]	8.00" [203]
G7100D(S)	4"	[100]	13.00" [330]	9.87" [251]
G7125D(S)	5"	[125]	12.00" [305]	10.50" [267]
G7150D(S)	6"	[150]	14.13" [359]	11.13" [283]

G7...D(S) 3-way Flow Patterns



Flow Pattern is marked on valve.

Stem Up = Open AB to B
Open C to L

Piping

The valves should be mounted in a weather-protected area in a location that is within the ambient limits of the actuator. Allow sufficient room for valve with actuator and for service. For the NV Series, allow 6" for cover removal and 12" for complete actuator removal. The G6/G7 preferred mounting position of the valve is with the valve stem vertical above the valve body, for maximum life. However, the assemblies can be mounted with valve stem vertical above the valve or up to 45 degrees in relation to the horizontal pipe. The actuators should never be mounted underneath the valve, as condensation can build up and result in a failure of the actuators. Do not reverse flow direction.

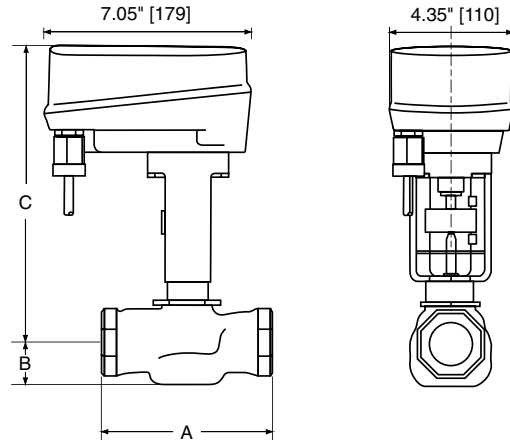


Models

- NVD24-MFT US
- NV24-MFT US
- NVG24-MFT US

Technical Data	
Power supply	24 VAC ± 20% 50/60 Hz, 24 VDC ± 10%
Nominal Voltage Range	19.2...28.8 VAC, 21.6...28.8 VDC
Power consumption	
NVD24-MFT US	3 W
NV24-MFT US	3 W
NVG24-MFT US	4 W
Transformer sizing	5 VA (Class 2 power source)
Electrical connection	3 ft, 18 GA plenum rated cable ½" conduit connector
Overload protection	electronic throughout stroke
Control	Multi-Function Technology
Control Signal Y	2 to 10 VDC (V-10001 default), PWM available
Operating range	2 to 10 VDC 4 to 20 mA (w/500 Ω, ¼ W resistor) ZG-R01
Input impedance	100k Ω for 2 to 10 VDC (0.1 mA) 500 Ω for 4 to 20 mA 1500 Ω for PWM, On/Off and Floating Point
Feedback output U	2 to 10 VDC, 0.5 mA max
Maximum stroke	¾" [20mm]
Force	
NVD24-3 US	90 lbf [400 N]
NV24-3 US	225 lbf [1000 N]
NVG24-MFT US	360 lbf [1600 N]
Position indication	stroke indicator on bracket
Manual override	3/16" hex, 5mm hex or phillips screwdriver
Running time	150 seconds, independent of load
Humidity	5 to 95% RH non-condensing
Ambient temperature	32°F to 122°F [0°C to 50°C]
Storage temperature	20°F to 250°F [-7°C to 120°C]
Housing	NEMA 2/IP54 with cable entry down
Housing material	UL94-5V (flammability rating)
Agency listings†	CE, UL 60730-1, CSA C22.2 No. 139 certified
EMC	CE acc. to 89/336/EEC
Software	Class A to UL 60730-1
Mode of operation	Type 1 to UL 60730-1
Noise level	<35 dB(A)
Quality standard	ISO 9001

Dimensions with G2... Series 2-Way Valve Assembly using UNV-001 Bracket

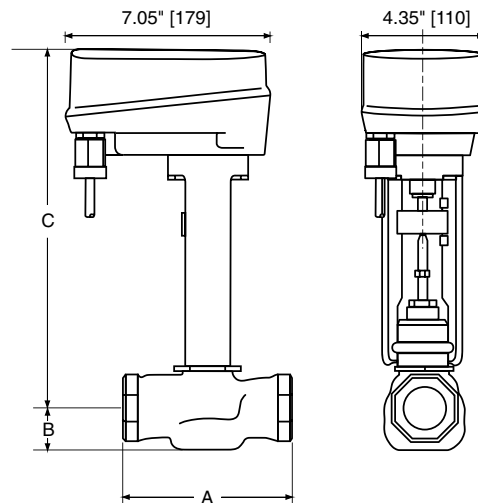


D031

Valve Body	Valve Nominal Size		Dimensions (Inches [mm])		
	Inches	DN [mm]	A	B	C
G2	1/2"	15	3.00" [76]	1.06" [27]	9.75" [248]
G2	3/4"	20	3.62" [92]	1.06" [27]	9.75" [248]
G2	1"	25	4.62" [117]	1.12" [29]	10.43" [265]
G2	1-1/4"	32	4.62" [117]	1.37" [35]	10.43" [265]
G2	1-1/2"	40	5.37" [137]	1.50" [38]	10.50" [267]
G2	2"	50	6.12" [156]	1.56" [40]	10.81" [275]

Dimensions with G2...S Series 2-Way Valve

Assembly using UNV-035 Bracket (Bracket is 1.563" longer than UNV-001)

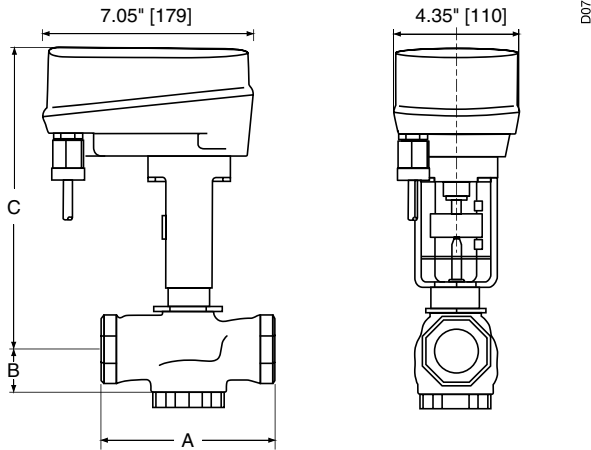


D056

Valve Body	Valve Nominal Size		Dimensions (Inches [mm])		
	Inches	DN [mm]	A	B	C
G2S	1/2"	15	3.00" [76]	1.06" [27]	11.31" [287]
G2S	3/4"	20	3.62" [92]	1.06" [27]	11.31" [287]
G2S	1"	25	4.62" [117]	1.12" [29]	12.00" [305]
G2S	1-1/4"	32	4.62" [117]	1.37" [35]	12.00" [305]
G2S	1-1/2"	40	5.37" [137]	1.50" [38]	12.06" [306]
G2S	2"	50	6.12" [156]	1.56" [40]	12.37" [314]

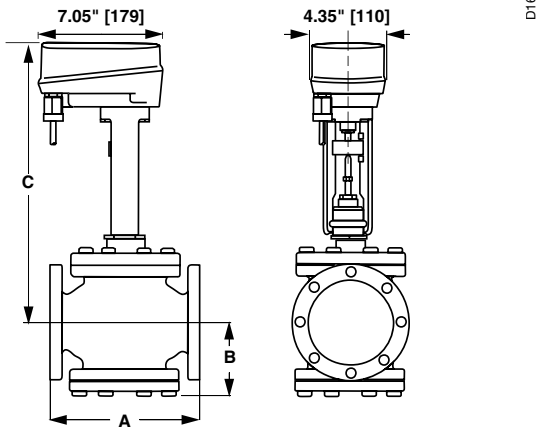
M40026 - 07/10 - Subject to change. © Belimo Aircontrols (USA), Inc.

Dimensions with G3...(D) Series 3-Way Valve



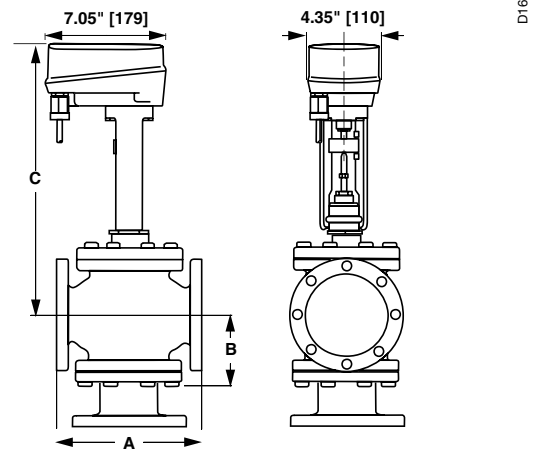
Valve Body	Valve Nominal Size		Dimensions (Inches [mm])		
	Inches	DN [mm]	A	B	C
G3(D)	1/2"	15	3.00" [76]	1.37" [35]	9.75" [248]
G3(D)	1/2"	15	3.00" [76]	1.37" [35]	9.75" [248]
G3(D)	3/4"	20	3.62" [92]	1.68" [43]	9.75" [248]
G3(D)	1"	25	4.62" [117]	1.56" [40]	9.81" [249]
G3(D)	1-1/4"	32	4.62" [117]	1.62" [41]	10.06" [256]
G3(D)	1-1/2"	40	5.37" [137]	1.62" [41]	9.18" [234]
G3(D)	2"	50	6.12" [156]	1.87" [48]	9.25" [235]

Dimensions with G6/G6C ANSI 125 and G6 ANSI 250 Series 2-Way Valve



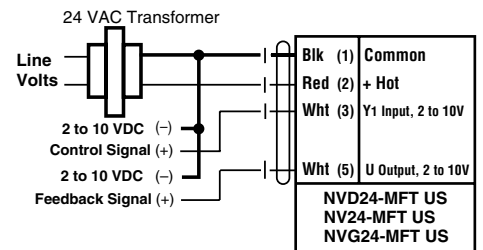
Valve Body	Valve Nominal Size		Dimensions (Inches [mm])		
	Inches	DN [mm]	A	B	C
G6/G6C ANSI 125	2-1/2"	65	9.00" [229]	4.75" [120]	15.00" [381]
G6/G6C ANSI 125	3"	80	10.00" [254]	5.37" [137]	15.43" [392]
G6 ANSI 250	2-1/2"	65	9.62" [244]	4.75" [120]	15.00" [381]
G6 ANSI 250	3"	80	10.75" [273]	5.37" [137]	15.43" [392]

Dimensions with G7 and G7D ANSI 125/250 Series 3-Way Valve

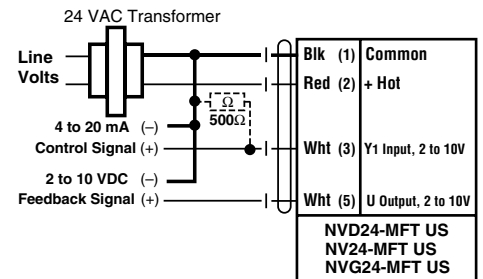


Valve Body	Valve Nominal Size		Dimensions (Inches [mm])		
	Inches	DN [mm]	A	B	C
G7 ANSI 125	2-1/2"	65	9.00" [229]	7.12" [181]	15.37" [391]
G7 ANSI 125	3"	80	10.00" [254]	8.00" [203]	15.93" [405]
G7D ANSI 125	2-1/2"	65	9.00" [229]	7.12" [181]	15.12" [384]
G7D ANSI 125	3"	80	10.00" [254]	8.00" [203]	15.93" [405]
G7D ANSI 125	4"	100	13.00" [330]	9.87" [251]	16.75" [425]
G7 ANSI 250	2-1/2"	65	9.62" [244]	7.37" [187]	15.50" [394]
G7 ANSI 250	3"	80	10.75" [273]	8.37" [213]	16.12" [410]
G7D ANSI 250	2-1/2"	65	9.62" [244]	7.37" [187]	15.25" [387]
G7D ANSI 250	3"	80	10.75" [273]	8.37" [213]	16.06" [408]
G7D ANSI 250	4"	100	13.62" [346]	10.25" [260]	16.87" [429]

Wiring Diagrams



2 to 10 VDC Control Signal



4 to 20 mA Control Signal

	Non-Spring Return				Spring Return					Electronic Fail-Safe
	NV	NVG	GM	2 x GM	NVF	AF	2x AF	AFX	2 x AFX	GK
2-way ANSI 125										
G665, G665S		62	113	150		36	59	51	82	113
G680, G680S		42	78	121		24	40	34	56	78
2-way Pressure Comp										
G665C, G665CS, G665LCS	150				150	150		150		
G680C, G680CS, G680LCS	150				136	150		150		
G6100C, G6100CS, G6100LCS			150				132		150	150
G6125C, G6125CS, G6125LCS			150				87		150	150
G6150C, G6150CS, G6150LCS			150				50		150	150
2-way ANSI 250										
G665-250, G665S-250		62	113	176		36	59	51	82	113
G680-250, G680S-250		42	78	121		24	40	34	56	78
3-way ANSI 125 Mixing										
G765, G765S		62	113	150		36	59	51	82	114
G780, G780S		42	78	121		24	40	34	56	78
G7100, G7100S			19	31					13	19
G7125, G7125S				19						
G7150, G7150S				13						
3-way ANSI 250 Mixing										
G765-250, G765S-250		62	113	176		35	58	40	114	114
G780-250, G780S-250		42	78	121		23	40	25	77	78
G7100-250, G7100S-250				31					24	19
G7125-250, G7125S-250				19						
G7150-250, G7150S-250				13						
3-way ANSI 125/250 Diverting										
G765D, G765DS, G765DS-250		100	100			100		100		100
G780D, G780DS, G780DS-250		100	100			100		100		100
G7100D, G7100DS, G7100DS-250		100	100			100		100		100
G7125D, G7125DS, G7125DS-250			100				100		100	100
G7150D, G7150DS, G7150DS-250			100				100		100	100

M40026 - 07/10 - Subject to change. © Belimo Aircontrols (USA), Inc.